



**PepperBall**<sup>®</sup>  
*SAFER OPTIONS*

# PPC<sup>™</sup>

---

User Manual

---





# TABLE OF CONTENTS



**PepperBall®**

# PPC™

PEPPERBALL PATROL CARBINE

<b>WARNINGS &amp; SAFETY</b> .....	<b>PAGE 3</b>
<b>PATROL CARBINE OVERVIEW</b> .....	<b>PAGE 6</b>
<b>MAGAZINE</b> .....	<b>PAGE 7</b>
<b>GETTING STARTED</b> .....	<b>PAGE 8</b>
<b>LOADING PROJECTILES</b> .....	<b>PAGE 9</b>
<b>ADJUSTING VELOCITY</b> .....	<b>PAGE 10</b>
<b>STOCK ADJUSTMENT</b> .....	<b>PAGE 11</b>
<b>CLEANING &amp; MAINTENANCE</b> .....	<b>PAGE 12</b>
<b>TROUBLESHOOTING</b> .....	<b>PAGE 13</b>
<b>WARRANTY</b> .....	<b>PAGE 14</b>
<b>RETURN POLICY</b> .....	<b>PAGE 15</b>



## **WARNING**

**THIS LAUNCHER IS NOT A TOY AND IS INTENDED FOR USE BY LAW ENFORCEMENT, MILITARY, CORRECTIONAL OFFICERS, PRIVATE SECURITY GUARDS, BAIL ENFORCEMENT AGENTS AND OTHER AUTHORIZED PERSONNEL. THIS PRODUCT LAUNCHES PROJECTILES FROM THE BARREL. MISUSE MAY CAUSE SERIOUS INJURY OR DEATH. ALWAYS MAKE SURE THAT THE TRIGGER SAFETY IS IN THE "SAFE MODE," EXCEPT WHEN THE LAUNCHER IS IN USE. SEE ADDITIONAL SAFETY GUIDELINES AND USER INSTRUCTIONS IN THIS MANUAL.**

# WARNINGS & SAFETY

## **Congratulations on your purchase of the PepperBall® Patrol Carbine™ Launcher.**

This launcher has been designed and manufactured by United Tactical Systems, LLC (UTS) to be reliable, accurate and durable. When properly handled, the Patrol Carbine will give many years of dependable service. Please take the time to read through this manual and become familiar with the Patrol Carbine parts, operation, maintenance, and safety precautions before you attempt to load or fire this launcher. This manual is a supplement to the recommended PepperBall training and should be used as a reference when performing maintenance or re-qualification.

By purchasing this launcher, you and your agency assume total responsibility for its safe and lawful use. You must observe the same safety precautions as you would with any firearm to ensure the safety of not only yourself, but everyone around you. The operator should use caution at all times when maintaining and firing this launcher.

## **LIMITATIONS AND USAGE**

There may be state or local limitations on purchase, possession, and use of the Patrol Carbine. Verify local legal requirements in your state and city to ensure possession and use are proper. The user assumes the liability from unsafe or improper use or any action which constitutes a violation of any applicable law or regulation.

The Patrol Carbine may be prohibited from certain premises, including government buildings, airports, courthouses, schools, or other public spaces. Possessing a Patrol Carbine in a prohibited area may subject user to criminal liability.

**WARNING:** If misused, this PepperBall launcher is a dangerous weapon.

The user assumes all liability from unsafe handling or any action that constitutes a violation of any applicable laws or regulations. UTS shall not be liable for personal injury, loss of property, or loss of life resulting from the use of this weapon under any circumstances, including any intentional, reckless, negligent, or accidental discharges. By using this PepperBall launcher, you release UTS of any and all liability associated with its use.

All information in this manual is subject to change without notice. Please refer to [www.pepperball.com](http://www.pepperball.com) for the most up-to-date information about the use of this product. UTS reserves the right to make changes and improvements to products without incurring any obligation to incorporate such improvements in products previously sold.

## **IF YOU DO NOT ACCEPT LIABILITY, DO NOT USE THIS OR ANY PEPPERBALL LAUNCHER.**

**WARNING: This product contains chemicals known to the State of California to cause cancer and birth defects or other reproductive harm.**

## **SAFETY IS YOUR RESPONSIBILITY!**

The following safety information contains important warnings related to the proper use of the launcher, projectiles, and gas canisters. Do not load, discharge, or otherwise use this launcher until you have completely read this manual and/or have completed training and are familiar with its safety features, mechanical operation, and handling characteristics.



# SAFETY

## LAUNCHERS

**WARNING: CONTENTS ARE DANGEROUS — USE WITH CARE. PURCHASE AND USE OF PEPPERBALL LAUNCHERS AND PROJECTILES ARE LIMITED TO INDIVIDUALS WHO ARE AT LEAST 18 YEARS OLD. KEEP ALL PEPPERBALL PROJECTILES AND LAUNCHERS OUT OF THE SIGHT AND REACH OF CHILDREN.**

- **DANGER:** Never aim or shoot at the head, face, eyes, ears, throat, groin or spine. Impact in these areas could result in unintended severe or permanent injury or death.
- **DANGER:** ALWAYS KEEP THE LAUNCHER POINTED IN A SAFE DIRECTION. Never look down the barrel of the launcher. Accidental discharge into the eyes may cause permanent injury or death.
- Handle this launcher as if it were loaded at all times.
- Keep your finger off the trigger until ready to fire.
- Keep this launcher on “Safe Mode” until ready to fire. Store in a safe and secure location when not in use.
- Never point or discharge your launcher at anything you do not intend to shoot.
- Never discharge your launcher at the personal property of others.
- Do not disassemble this launcher while it is pressurized or attempt to pressurize while it is disassembled.
- Keep exposed skin away from any escaping gas when in use and when installing or removing air supply.
- Use only PepperBall® authorized projectiles in this launcher. The use of any unauthorized projectiles in this launcher will void all warranties.
- Any modifications to the launcher are prohibited, except with United Tactical manufactured accessories and in accordance with United Tactical instructions. Unauthorized modifications will void all warranties.
- Increasing the velocity of this product increases the risk of death or injury.

## HIGH PRESSURE SYSTEMS

### WARNING—CONTENTS UNDER PRESSURE

Do not puncture or incinerate container. Do not expose to heat or store at temperatures above 120°F. Keep out of the reach of children.

# SAFETY

## PROJECTILES

Read projectile label carefully before opening container or using any of its contents. Opening container indicates user has carefully read label in its entirety and accepts its provisions as the terms and conditions under which this product is furnished.

Handle PepperBall projectiles with care and follow proper cleanup procedure. PepperBall projectiles cause skin irritation, serious eye irritation, and may cause serious respiratory irritation. Exposure may result in copious tears, temporary blindness, burning sensation, and difficulty breathing. The projectile should never be ingested.

- In case of accidental exposure, exit the exposure area. Remove contact lenses and contaminated clothing. Flush eyes and affected areas with cool water. Do not rub or use creams, salves, lotions or oils which can trap irritant on the skin. Discard contact lenses and wash exposed clothing before reuse. If exposure or ingestion occurs, get medical advice/attention.
- Keep all PepperBall projectiles out of the reach of children. Store in a secure location with temperatures not to exceed 150° F or below -15° F. PepperBall projectiles have a shelf life of 2 years and should be safely disposed of after this period.

## EXPOSURE:

**Eye Contact:** Flush eyes and other contaminated areas IMMEDIATELY with large amounts of cool water, and expose to fresh air. Contact lenses should be removed by subject or qualified medical personnel and must be discarded.

**Skin Contact:** Wash skin with soap and water to prevent further exposure. Flush skin with large amounts of cool water to minimize irritant effect. Wash contaminated clothing before reuse. DO NOT rub contaminated areas or apply creams, salves, oils, lotions, or burn cream, which can trap irritant on the skin.

**Inhalation:** If breathing is difficult, administer oxygen. If high concentrations are inhaled, immediately remove subject to fresh air. Keep person calm. If not breathing, begin artificial respiration. If breathing difficulty persists, seek medical attention.

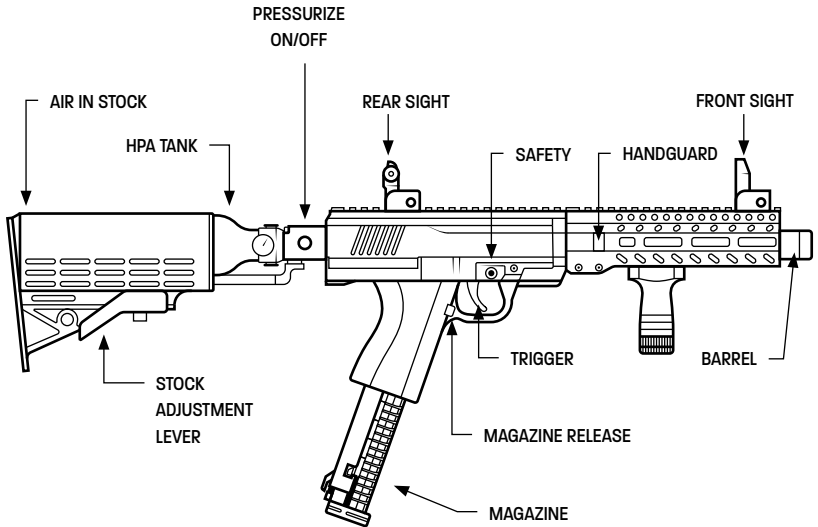
**Ingestion:** Although ingestion is unlikely and not considered a potential route of exposure, individual should be treated as having an acute non-specific airway reaction by an appropriate specialist. Do not induce vomiting.

For more details on these products, refer to the Safety Data Sheets (SDS) listed on [www.pepperball.com](http://www.pepperball.com).



# OPERATIONAL INSTRUCTIONS

## OVERVIEW



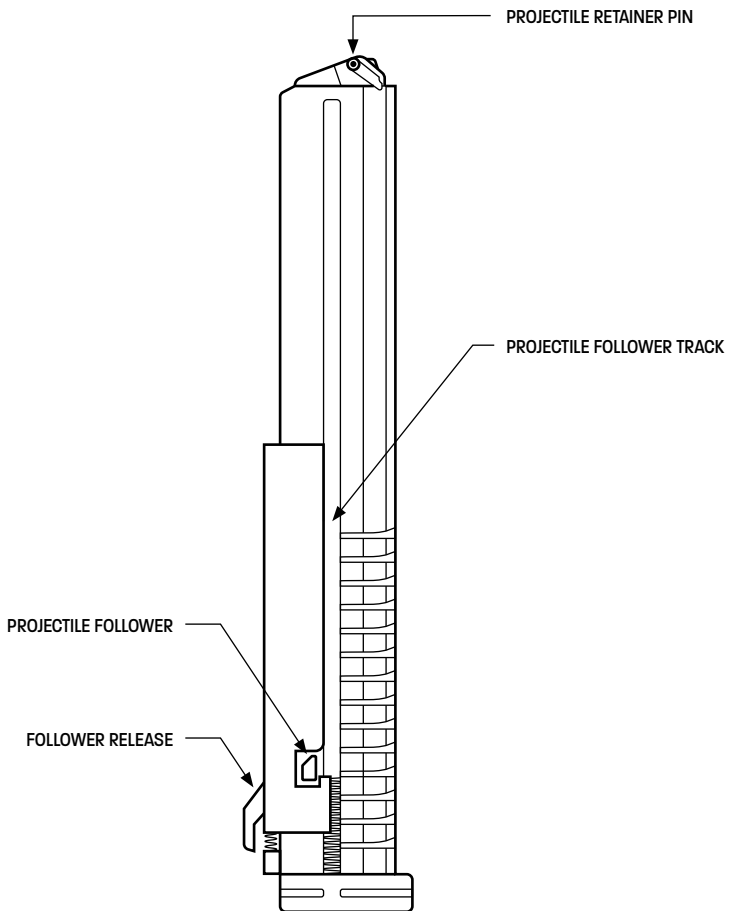
### PATROL CARBINE™ SPECIFICATIONS

<b>SIZE:</b> 25 3/4" L x 7" H*	<b>WEIGHT:</b> 4.95 LBS	<b>BARREL:</b> 12 3/4"	<b>CALIBER:</b> .68	<b>ACTION:</b> SEMI-AUTO
<b>CAPACITY:</b> 6/10 ROUNDS	<b>POWER:</b> CO <sub>2</sub> /HPA	<b>ROUND DISTANCE:</b> 60'	<b>VXR DISTANCE:</b> 150'	

\*Without magazine

# OPERATIONAL INSTRUCTIONS

## MAGAZINE



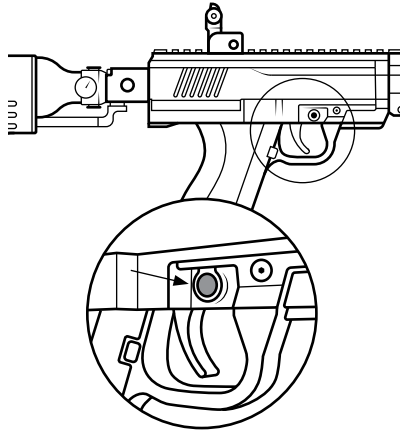


# OPERATIONAL INSTRUCTIONS

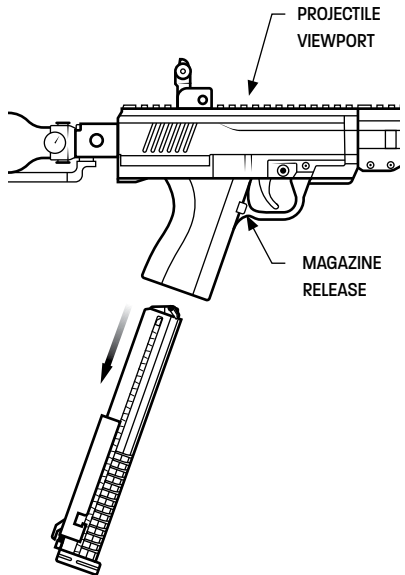
## GETTING STARTED

Read this entire manual before using this launcher. Keep your launcher pointed in a safe direction at all times.

- 1. SAFETY** - Place the Patrol Carbine™ in safe mode by pushing the safety button so no red is visible. **Visible red indicates that launcher will discharge.**

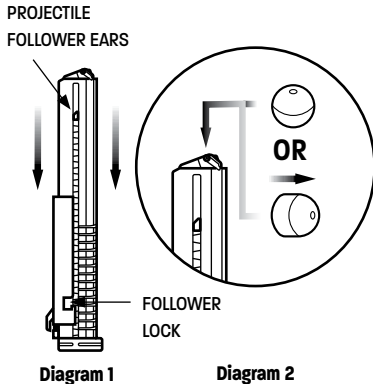


- 2. UNLOADING MAGAZINE** – Ensure there are no projectiles in the launcher by placing your hand under the magazine, pressing the magazine release, and pulling the magazine free from the Patrol Carbine. Look inside the grip of Patrol Carbine and verify that no projectiles remain in the chamber or barrel area. Visually inspect the projectile viewport to ensure that no projectiles are visible.



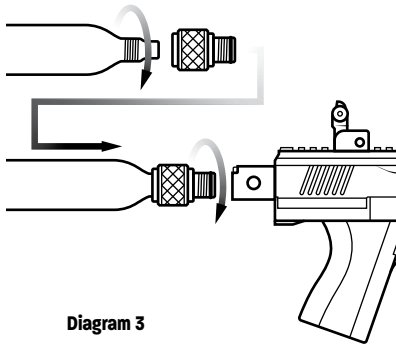
# OPERATIONAL INSTRUCTIONS

**3. LOAD PROJECTILES** - Insert a maximum of 10 PepperBall® projectiles into the magazine from the top (Diagram 1). Place the Projectile Follower in the down position by pulling down on the Projectile Follower ears and locking into the projectile sleeve. Once in place, push up on the magazine sleeve to insure it is locked. The projectiles will be held in place automatically by the projectile retainer pin. VXR™ projectiles must be oriented as shown in the illustration. (Diagram 2)



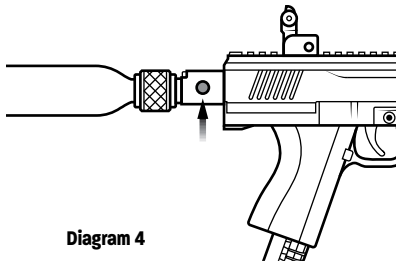
**4. 88 GRAM CARTRIDGE INSTALLATION** - To install the tank on your PepperBall Patrol Carbine, screw your cartridge into the adapter CLOCKWISE until snug. This will puncture your cartridge. Screw in tank and adapter into the Patrol Carbine clockwise. (Diagram 3)

**5. ENGAGE YOUR PATROL CARBINE** - Once you have your 88g adapter with cartridge installed into the Patrol Carbine Air Adapter, push the large red ON button in. The button will be flat with the surface of the Air Adapter and you will hear the unit pressurize with a 'Click'. Your PPC is now ready to fire. (Diagram 4)



**6. EMPTY TANK REMOVAL** - First insure your cartridge is empty, push the air source button to the "OFF" position, then rotate the tank COUNTERCLOCKWISE until it is removed. Discard of 88g cartridge properly when empty.

**7. HPA TANK INSTALLATION** - Make sure your Air Source Button is set to the OFF position. Screw the bottle into the back of your launcher, rotating CLOCKWISE. Push your Air Source Button to the ON Position.



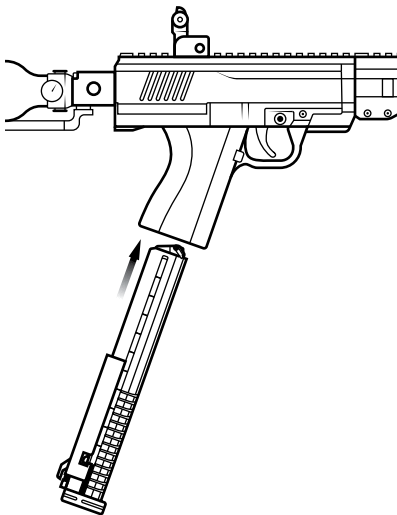
**8. DISENGAGE YOUR PATROL CARBINE** - Push the Air Source Button to the OFF position, and remove HPA tank by rotating COUNTERCLOCKWISE.



# OPERATIONAL INSTRUCTIONS

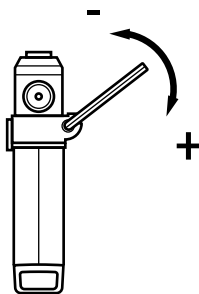
- 9. LOAD MAGAZINE** - Place the magazine in the grip of the Patrol Carbine™ as illustrated below. Once the magazine has started into the grip seat, continue to insert the magazine until it is secured by the magazine catch. Follow the steps outlined for immediate use in step 6 of Getting Started.

**NOTE:** If magazine does not lock on first insertion, remove it completely and reinsert.



## SET VELOCITY

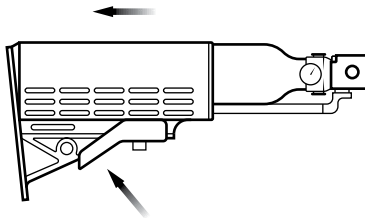
1. Insert provided 3/16" hex wrench as depicted.
2. To increase velocity, turn clockwise. To decrease velocity, turn counterclockwise.
3. Fire once to clear chamber after each adjustment, then measure velocity of the second shot.



# OPERATIONAL INSTRUCTIONS

## STOCK ADJUSTMENT

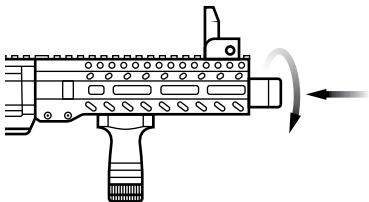
1. To adjust the stock on your Patrol Carbine, firmly press the stock adjustment lever and pull back to desired length.
2. To adjust back to the normal setting, firmly press the stock adjustment lever and push back to desired length.



## REMOVING THE BARREL

Verify that no projectiles remain in the chamber area of the barrel by pressing on the end of the barrel and turning counterclockwise. The barrel can then be removed by pulling it out of the receiver. Note the channel in the barrel and the barrel lock in the receiver as it slides free. To reattach the barrel, align the channel with the barrel lock, slide the barrel back into the receiver, push on the end of the barrel, and turn clockwise until the barrel locks into place. Pull on the end of the barrel to ensure it is properly seated.

**NOTE:** Magazine must be removed before barrel removal.





# CLEANING & MAINTENANCE

## SAFETY NOTES

- Never clean a loaded or pressurized launcher.
- Remove all projectiles from the launcher prior to doing any cleaning or maintenance.
- Never use petroleum-based cleaning solvents or lubricants as they can attack the O-ring seals.
- Do not use cleaning solvents that come in aerosol cans.

## BARREL DEBRIS REMOVAL

1. If there is foreign debris or a broken projectile in the Patrol Carbine™ barrel, the barrel will need to be cleaned.
2. Ensure the Patrol Carbine is in "Safe Mode" and remove barrel as outlined on page 8.
3. Use a .68 caliber soft nylon brush, .68 caliber squeegee, or a 12 gauge patch tip with a soft cotton cloth to clean the barrel. Do not allow lubricants or water to remain in the barrel of the Patrol Carbine. It is designed to be used with the barrel dry.
4. Wipe off any dirt or grime from the outside of the Patrol Carbine barrel with a dry cloth.

## BREACH DEBRIS REMOVAL

1. If there is foreign debris or a broken projectile in the Patrol Carbine breach, the breach will need to be cleaned.
2. Ensure the launcher is unloaded and depressurized before removing the barrel. Then, using a dry cloth, wipe any debris out of the breach area.

## FAQ

### **Can an empty 88g cartridge be removed from the Patrol Carbine and used again?**

Once a cartridge is pierced and removed, it can no longer be used.

### **Approximately how many shots can you expect from a fresh 88g CO<sub>2</sub> cartridge?**

Depending on temperature and firing pace, you can expect to get 100–125 shots per cartridge.

### **A projectile broke in the barrel or breach.**

- See Barrel Debris Removal section on page 12

# TROUBLESHOOTING

## **When I pull the trigger, nothing happens.**

- Pointed in a safe direction, first make sure the safety is off. Did it fire?
  - If yes, proceed.
  - If no, check the following: Turn the safety on, remove the magazine and replace the CO<sub>2</sub> cartridge. Repeat the firing procedure.
  - If the launcher makes a loud pop but no projectile is fired, make sure the projectiles are properly loaded in the magazine. If problem persists, contact Customer Service at [service@pepperball.com](mailto:service@pepperball.com).

## **My Patrol Carbine Launcher velocity is inconsistent.**

- Make sure the Patrol Carbine bolt and regulator are properly lubricated.
- Check to see if you velocity is set too high.

## **The barrel of my Patrol Carbine is hard to install.**

- Make sure the barrel is free and clean of debris.
- Refer to page 8 of your Patrol Carbine manual and follow the steps exactly. If problem persists, contact Customer Service at [service@pepperball.com](mailto:service@pepperball.com).

## **My Patrol Carbine is leaking down the barrel.**

- Make sure your bolt is properly lubricated

## **My Patrol Carbine is leaking around the grip frame**

- Make sure your regulator is properly lubricated.

## **My Patrol Carbine is breaking projectiles.**

- Check to make sure your barrel is clear and clean of debris.
- Check to make sure your velocity isn't set too high.
- Make sure you are using the right projectiles (PepperBall Projectiles.)
- If problem persists, contact Customer Service at [service@pepperball.com](mailto:service@pepperball.com)



# WARRANTY & DISCLAIMER

## WARRANTY, DISCLAIMER OF WARRANTY AND LIMITATION OF REMEDIES

United Tactical Systems, LLC (UTS) warrants, solely to the end user, law enforcement agencies, private security firms, or private or public corrections agencies, that the product is delivered free from defects in materials and workmanship for a period of one (1) year from the original date of purchase.

Within the one-year warranty period, UTS' liability and the buyer's sole and exclusive remedy hereunder for all claims shall be limited to a refund or credit to buyer of the purchase price, or replacement of this product, at UTS's option, provided that the non-conforming product is (1) returned during the warranty period and (2) properly packaged and shipped to the UTS designated facility in accordance with the UTS Return Merchandise Authorization (RMA) Policy.

### **THE REMEDY SET FORTH ABOVE SHALL BE THE SOLE AND EXCLUSIVE REMEDY FOR BREACH OF THE FOREGOING WARRANTY.**

Products which have been improperly handled, stored or shipped, or which have been subject to abuse, misuse, alteration and or neglect are not covered by the warranty. Aftermarket products and the use of non-authorized projectiles are strictly prohibited by UTS and any indication of their installation or use shall void all warranties. Unauthorized modifications voids the warranty.

**DISCLAIMER OF WARRANTY:** Except for the express limited warranty set forth above, UTS makes no warranties or representations of any kind, whether express or implied, with respect to the product, including any (a) warranty of merchantability; or (b) warranty of fitness for a particular purpose; or (c) warranty against infringement of intellectual property rights of a third-party, whether express or implied by law, course of dealing, course of performance, usage of trade or otherwise. There are no warranties which extend beyond the description of the face hereof. Buyer shall make no warranty or representation regarding the products that is inconsistent with the warranty set forth above. UTS shall not be liable for any injury, loss, or damage, direct or consequential, arising out of the use or the inability to use this product. Warranty does not cover damage caused by abuse, misuse, loss, improper handling, alterations, accident, neglect, or disassembly. Before use, the user shall determine the suitability of the product and be fully trained for its intended use, and user assumes all risks and liability whatsoever in connection therein. In no event shall UTS be liable or obligated to buyer or to any third party in any manner for any (a) special, non-compensatory, consequential, indirect, incidental, statutory, or punitive damages of any kind, including, without limitation, lost profits and/or lost revenue, regardless of the form of action, whether in contract, tort, negligence, strict product liability, or otherwise, even if informed of or aware of the possibility of any such damages in advance, (b) in an amount greater than the amounts paid to UTS by buyer for the products, or (c) damage or injury caused by the products, unless due to the gross negligence or willful misconduct of UTS. The limitations set forth above shall be deemed to apply to the maximum extent permitted by applicable law and notwithstanding the failure of the essential purpose of any limited remedies. The parties acknowledge and agree that they have fully considered the foregoing allocation of risk and find it reasonable, and that the foregoing limitations are an essential basis of the bargain between the parties.

# RETURN POLICY

## CUSTOMER SERVICE, REPAIR POLICY AND RETURN POLICY

For any Customer Service related issues that cannot be answered by the FAQ in this manual, please contact PepperBall at [service@pepperball.com](mailto:service@pepperball.com) or call PepperBall Customer Service at 888-874-3491.

## WARRANTY AND SERVICE INFO

All returns must be authorized by PepperBall. Contact PepperBall at [service@pepperball.com](mailto:service@pepperball.com) or call PepperBall Customer Service at 888-874-3491.

### When returning product:

**CAUTION:** ALWAYS UNLOAD AND REMOVE AIR SOURCE, AND PROJECTILES BEFORE SHIPPING A LAUNCHER.

**CAUTION:** DO NOT SHIP BACK THE AIR SOURCE UNLESS COMPLETELY EMPTIED.

- Make sure the RA Number is clearly marked on the outside of the shipping package.
- Include a brief statement regarding the requested repair.
- Include your name, return address and a telephone number where you can be reached during normal business hours inside the shipping package.
- Out-of-warranty returns require a pre-payment of shipping charges prior to return shipment by UTS.
- All in warranty products will be repaired or exchanged at the discretion of PepperBall and will be shipped back to the Customer via ground shipping at no-charge.
- You may request expedited shipping at your expense with charges paid prior to return shipment.



THIS IS NOT A TOY.

ONLY ALLOW USE BY RESPONSIBLE PERSONS.

READ MANUAL BEFORE USE.

Additional safety information available online.

PepperBall® is a division of United Tactical Systems, LLC  
28101 Ballard Drive, Suite F  
Lake Forest, IL 60045  
Pepperball.com